

**AIRCRAFT PARTS CORP.
GENERATOR CONTROL UNIT
TECHNICAL MANUAL**

For Reference Only



*ENGINEER'S OF THE INDUSTRY'S FINEST
STARTER-GENERATORS AND GENERATOR CONTROL UNITS
TRUSTED BY PROFESSIONALS, POWERED BY APC*

For Reference Only

OUR PASSION FOR QUALITY COMES STANDARD IN GCU MANUFACTURING

For over forty years, APC has been committed to being the leader and industry standard in the design and manufacture of aircraft electrical systems. Today this goal and pledge has not changed, neither has our commitment to serving our customers, the quality of our products, or company ownership. In fact, while most other manufacturers are changing hands, consolidating and changing their manufacturing location, APC has continued to operate under the same name, ownership and manufacturing base.

Far more advances in generator control unit design and performance are being made every day. Even while industry practices and standards are rapidly changing, APC has welcomed these challenges and continuously evolves along with industry trends in today's market. With the most up-to-date technologies and product knowledge close at hand, APC has stepped into the forefront of GCU design. APC's product line of Generator Control Units covers all industry requirements.

APC designs and manufactures generator control units that are far superior in architecture and performance. Our GCU's are designed for high reliability while the price to our customers is extremely competitive. Adding to that, APC technical support engineers are always readily available to assist our customers.

APC has long been recognized for its outstanding product achievements in the aircraft industry. The successful performance of our generator control units in the field is the culmination of our many tried and true design attributes, and advanced manufacturing techniques. Our GCU's are manufactured at our ISO9001 certified facility and assembled with only the highest quality components. The workmanship that goes into our products is second to none.

The generator control unit incorporates all the control and protective functions required for a single or multi-engine powered aircrafts 28 volt DC electric power system. APC generator control units are compact, lightweight and are designed to operate with our 28V D.C. starter-generators and other compatible machines manufactured to the requirements of MIL-G-6162.

Our generator control units can operate at ambient temperatures of between -55°C to $+71^{\circ}\text{C}$ and at altitudes of up to 70,000 feet. APC's generator control units also contain many desirable features such as: self-cooling, lightweight, no scheduled maintenance or vibration isolation is required. APC's patented "Torque Limiting" system can be integrated as an optional addition to our high quality generator control units. Custom features can also be added to



our generator control units, if any customization is requested. APC Generator Control Units feature a robust electronic and mechanical design to provide optimum functionality in the most demanding aircraft application environments.

Complementing our extensive product line of Generator Control Units is the recent introduction of our Digital Generator Control Units (DGCU); the GCSG 550 series. APC's Digital GCU uses a highly integrated, state-of-the-art microcontroller to implement the control and protective functions for improved reliability, reduced parts count and lower manufacturing costs. Its design also makes use of benchmark components for increased drive capability for field excitation, and contactors control with lower power dissipation and operating temperatures for improved component reliability. The digital GCU's also feature an automatic Built-in-Test with fault isolation to the LRU level for ease of maintenance of the electrical power system.

At APC our motto is, "the Customer is the Focus of Everything We Do", and every effort is made to place the customer's needs in the forefront. We continuously strive to meet and exceed our customer's expectations. We do this through the most technologically-advanced product designs for superior performing products, practicing lean manufacturing techniques to keep costs down and passing on the savings to our customers. Our customer service staff is number one in the business, and combined with the entire staff at APC, our business goals have been achieved overall in terms of Quality, Price and Delivery. If you haven't already, call us toll-free at 1-877-4APCMFG, (1-877-427-2634), or visit us on the web at www.apcmfg.com and discover first hand why APC continues to be the most trusted OEM for aircraft electrical systems in the industry today.



APC GENERATOR CONTROL UNITS: SUMMARY CHARACTERISTICS

ELECTRICAL

Regulated Voltage	28.5 V DC Nominal
Voltage Regulation	+0.3/-0.7V, all conditions of environment, generator load and speed rating.
Generator Voltage Adjustment Range	26 to 30 VDC
Recovery Time	30 msec max., full load to no load and no load to full load.
Field Current	15 amps maximum
Paralleling Control	Load equalization within 10% of Gen. Rating
Generator Line Contactor Control	5 amps maximum
Start Contactor Control	5 amps maximum
Overvoltage Protection	MIL-STD-704/DO-160
Reverse Current Protection	10% of generator rating opens line contactor.
Self Test	Protective functions
Dielectric Strength	600 Vrms, 60 Hz.

MECHANICAL

Weight: 1.2 lbs. to 2.7 lbs. (0.54 kg to 1.22 kg)
Dimensions: As per outline Drawing
Connector: Military Standard
Cooling: Self Cooled.
Installation: Solid Mounting ; Capable of operation in any position

ENVIRONMENTAL

Operating Temp. Range: -55°C to +71°C
Vibration: MIL-STD-810C, Method 514.2
Shock: MIL-STD-810C, Method 516.2
Acceleration: MIL-STD-810C, Method 513.1
Altitude: Sea Level to 70,000 Ft.

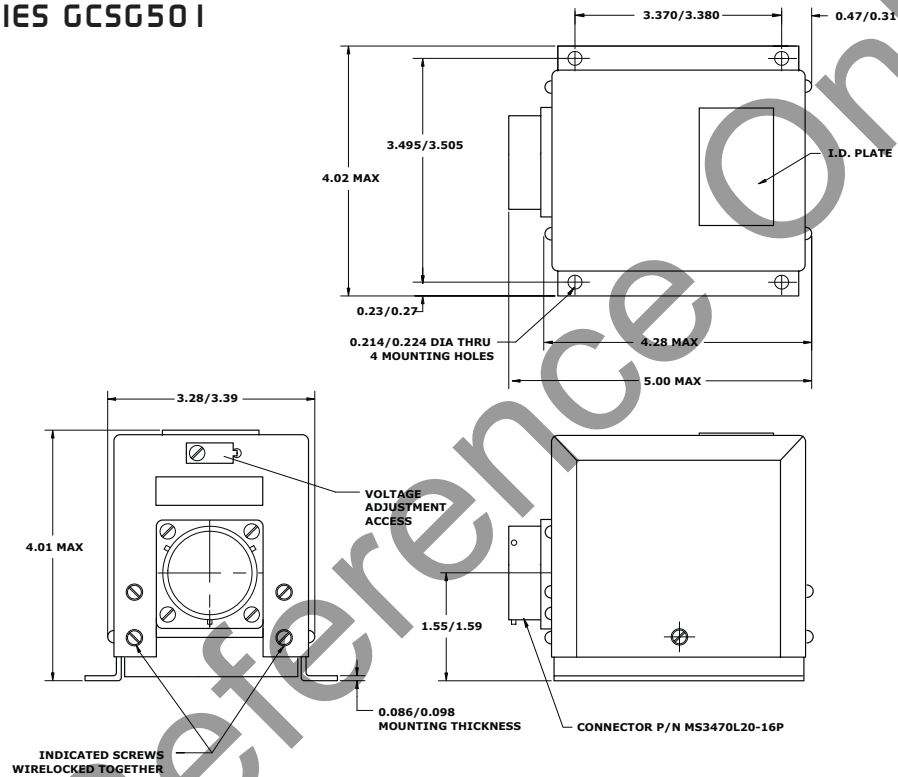
NO SCHEDULED MAINTENANCE REQUIRED.

ALL APC GENERATOR CONTROL UNITS ARE DESIGNED TO MEET THE REQUIREMENTS OF MIL-R-23761B (AS)



THE GCSG501 SERIES GCU'S ARE DESIGNED FOR OPERATION WITH SERIES-TYPE STARTER-GENERATORS AND INCLUDE OVERLOAD PROTECTION.

MODEL SERIES GCSG501



TYPICAL AIRCRAFT INSTALLATIONS:

- ◆ SIKORSKY: 576 SERIES HELICOPTERS

DESIGN FEATURES AND FUNCTIONS:

CONTROL FUNCTIONS:

- ◆ VOLTAGE REGULATOR WITH VOLTAGE ADJUSTMENT
- ◆ LINE CONTACTOR CONTROL
- ◆ DIFFERENTIAL VOLTAGE SENSING
- ◆ REMOTE ELECTRICAL RESET
- ◆ REMOTE ELECTRICAL TRIP

PROTECTION FUNCTIONS:

- ◆ OVERVOLTAGE PROTECTION
- ◆ OVERLOAD PROTECTION
- ◆ UNDERVOLTAGE PROTECTION
- ◆ REVERSE CURRENT PROTECTION
- ◆ REVERSE POLARITY BUILDUP PROTECTION
- ◆ OPEN GROUND PROTECTION
- ◆ ANTI CYCLE PROTECTION

FEATURES:

- ◆ REMOTE OVERVOLTAGE AND OVERLOAD SELF TEST
- ◆ INTERNAL FIELD RELAY AND FLASH START RELAY



THE GCSG502 AND 503 SERIES GCU'S ARE DESIGNED FOR OPERATION WITH SERIES-TYPE STARTER-GENERATORS AND INCLUDE GENERATOR PARALLELING CONTROL.

MODEL SERIES GCSG502/GCSG503

TYPICAL AIRCRAFT INSTALLATIONS: GCU MODEL GCSG502:

- ◆ DEHAVILLAND : DASH 7 APU
- ◆ BELL : 206L AUX. SYSTEM
- ◆ MYASISHCHEV : M101T
- ◆ AERO VODOCHODY: AE270
- ◆ CESSNA P210 TURBO CONVERSION

TYPICAL AIRCRAFT INSTALLATIONS: GCU MODEL GCSG503:

- ◆ SCHWEIZER: 330T
- ◆ DORNIER: DO-228
- ◆ U.S. ARMY: "LITTLE BIRD" HELICOPTER
- ◆ NORTHROP GRUMMAN: UAV-FIRE SCOUT
- ◆ NEW PIPER MALIBU CONVERSION
- ◆ PZL: SW3
- ◆ PAC: CRESCO 750

DESIGN FEATURES AND FUNCTIONS:

CONTROL FUNCTIONS:

- ◆ VOLTAGE REGULATOR WITH VOLTAGE ADJUSTMENT
- ◆ GENERATOR CURRENT LIMIT
- ◆ AUTOMATIC PARALLELING CONTROL
- ◆ LINE CONTACTOR CONTROL
- ◆ DIFFERENTIAL VOLTAGE SENSING
- ◆ REMOTE ELECTRICAL RESET
- ◆ REMOTE ELECTRICAL TRIP

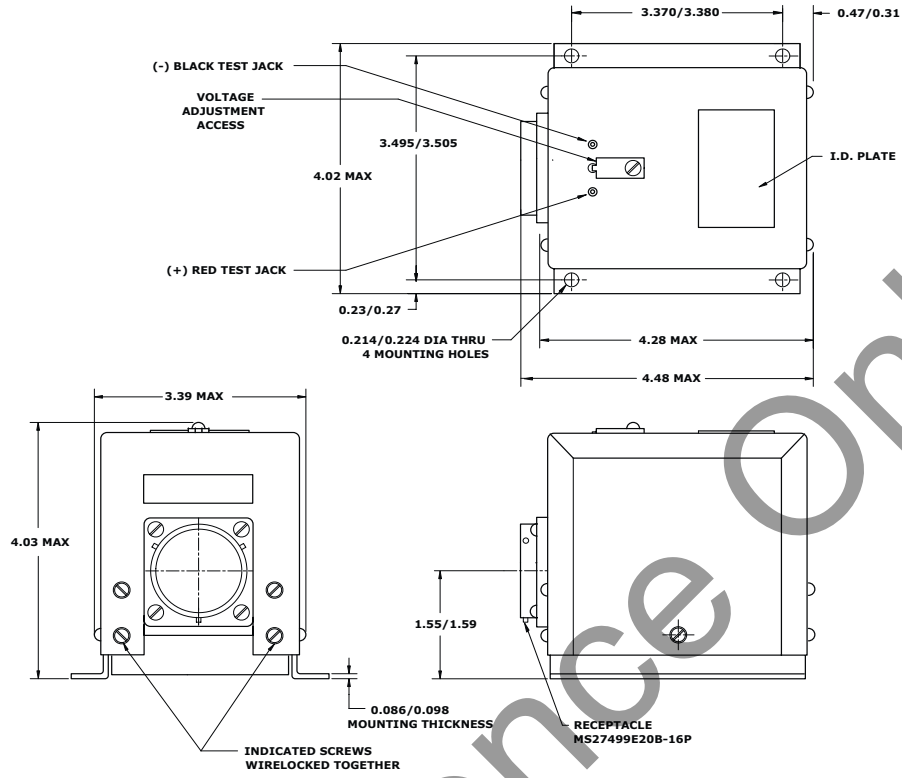
PROTECTION FUNCTIONS:

- ◆ OVERVOLTAGE PROTECTION
- ◆ OVER EXCITATION PROTECTION
- ◆ REVERSE CURRENT PROTECTION
- ◆ OPEN GROUND PROTECTION
- ◆ REVERSE POLARITY BUILDUP PROTECTION
- ◆ ANTI CYCLE PROTECTION
- ◆ LINE CONTACTOR CONTROL OUTPUT PROTECTION

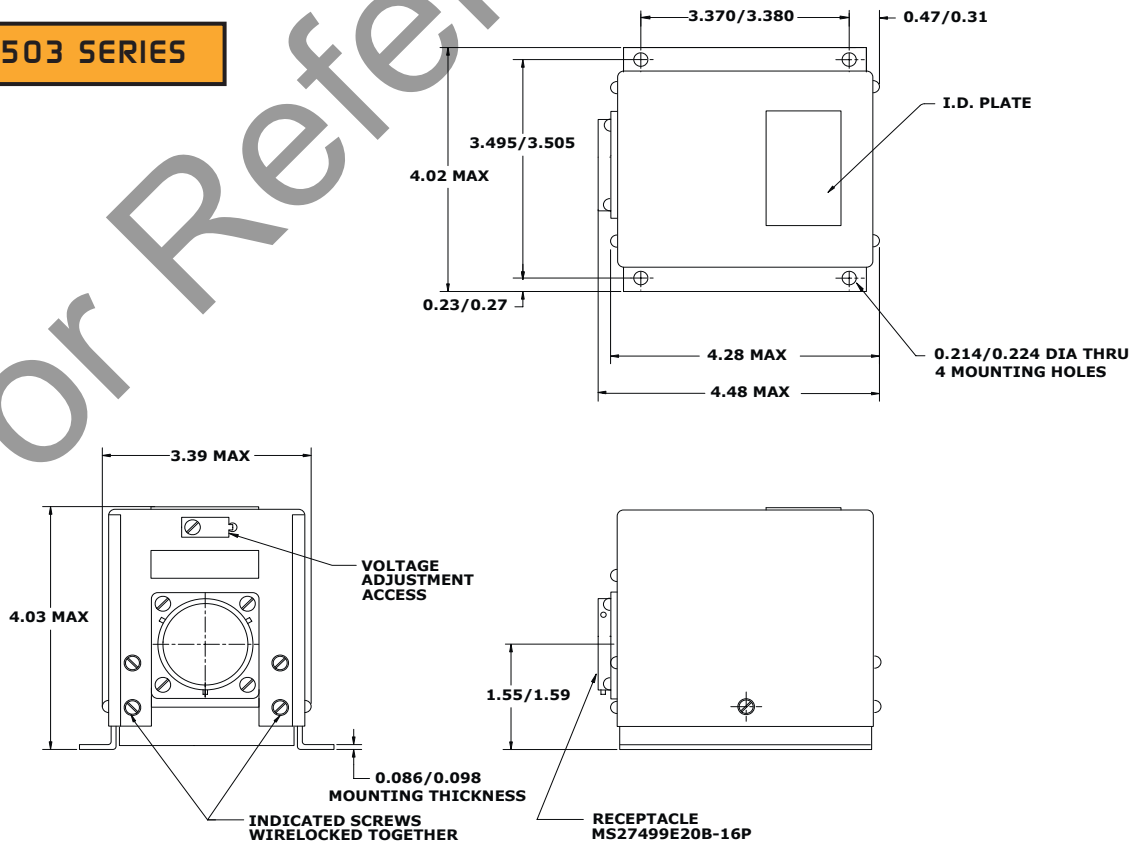
FEATURES:

- ◆ REMOTE OVERVOLTAGE SELF TEST
- ◆ INTERNAL FIELD RELAY, FLASH START RELAY AND EQUALIZER RELAY

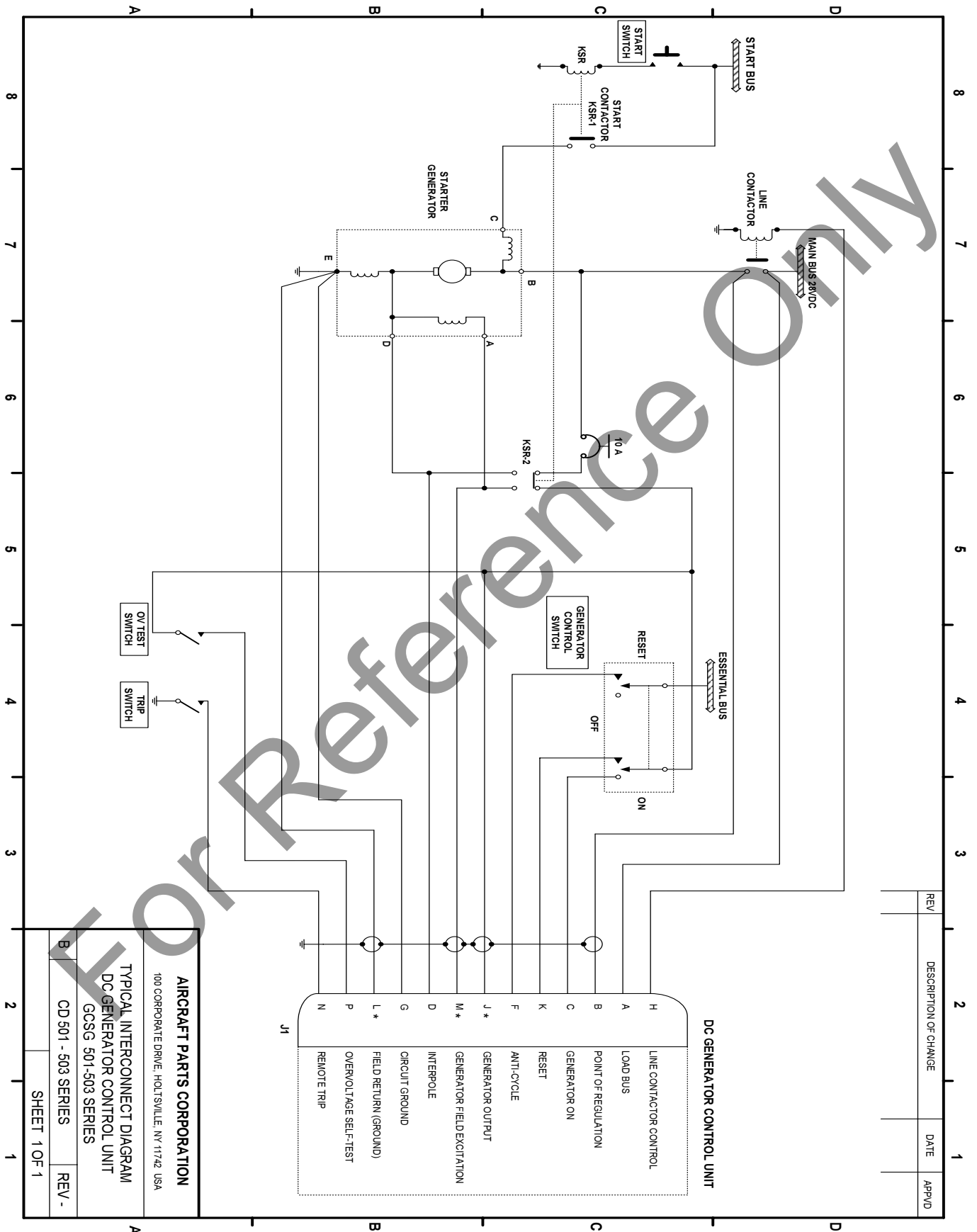
GCSG502 SERIES



GCSG503 SERIES



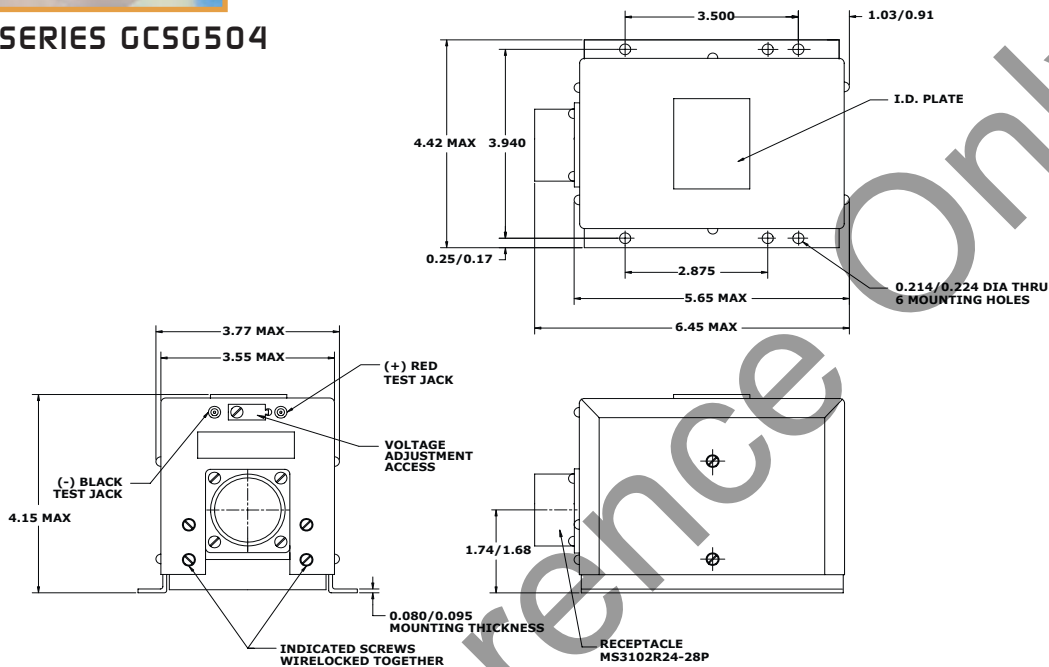
GENERATOR CONTROL UNIT SYSTEM INTERCONNECT DIAGRAM MODEL SERIES GCSG501/502/503.





THE GCSG504 SERIES GCU'S ARE DESIGNED FOR OPERATION WITH SERIES-TYPE STARTER-GENERATORS AND INCORPORATE GROUND FAULT PROTECTION.

MODEL SERIES GCSG504



TYPICAL AIRCRAFT INSTALLATIONS:

- ◆ FAIRCHILD: METRO SERIES II, III, IV
- ◆ MARSH AVIATION: S2 TRACKER, OV1QA
- ◆ GENERAL ATOMICS: UAV-PREDATOR B
- ◆ HAFEI: Y12 IV

DESIGN FEATURES AND FUNCTIONS:

CONTROL FUNCTIONS:

- ◆ VOLTAGE REGULATOR WITH LOCAL OR REMOTE VOLTAGE ADJUSTMENT
- ◆ GENERATOR CURRENT LIMIT
- ◆ AUTOMATIC PARALLELING CONTROL
- ◆ GENERATOR LINE CONTACTOR CONTROL
- ◆ DIFFERENTIAL VOLTAGE SENSING
- ◆ REMOTE ELECTRICAL RESET
- ◆ REMOTE ELECTRICAL TRIP
- ◆ REMOTE INDICATOR CONTROL

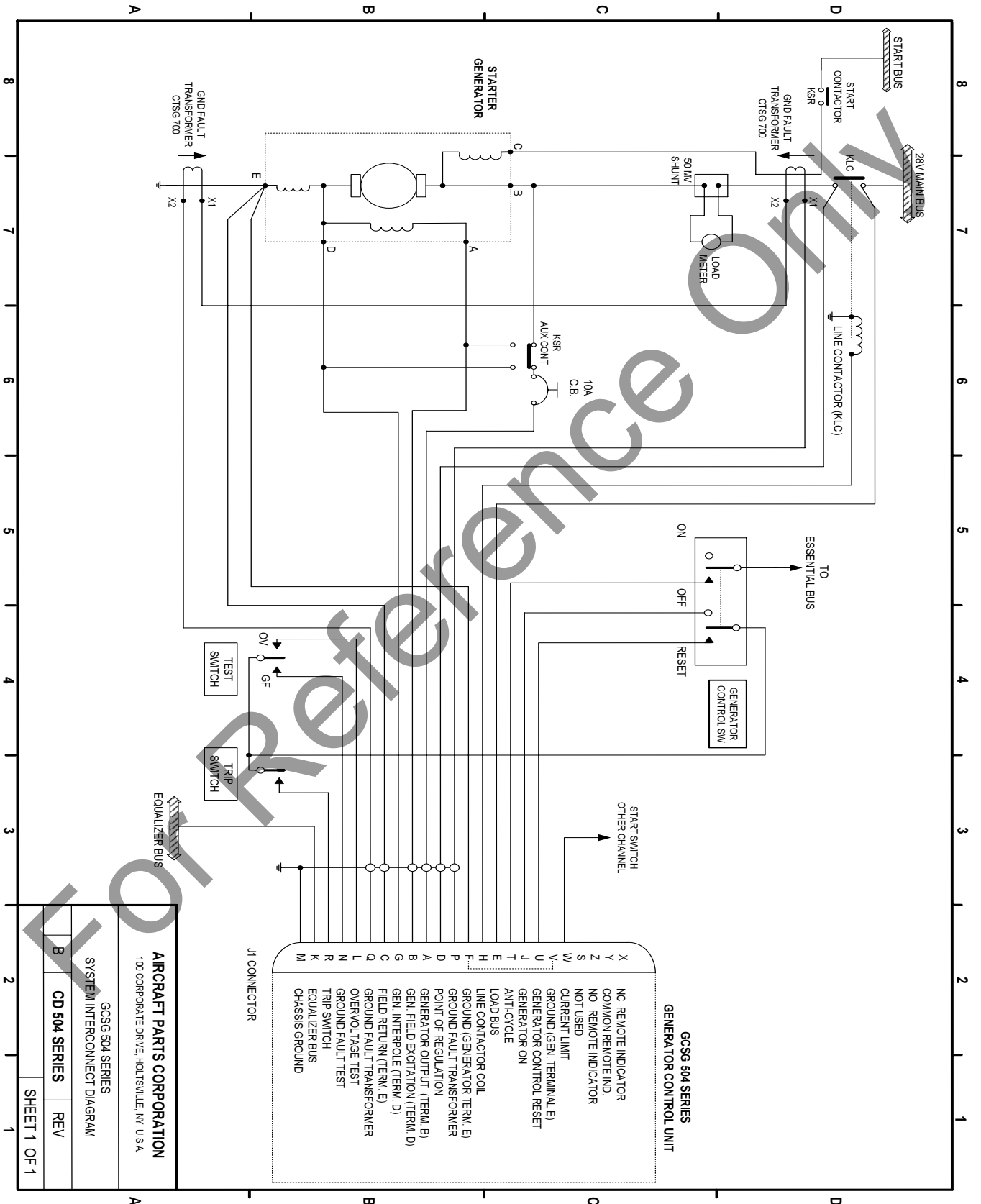
PROTECTION FUNCTIONS:

- ◆ OVERVOLTAGE PROTECTION
- ◆ OVEREXCITATION PROTECTION
- ◆ REVERSE CURRENT PROTECTION
- ◆ OPEN GROUND PROTECTION
- ◆ GROUND FAULT PROTECTION
- ◆ ANTI-CYCLE PROTECTION
- ◆ LINE CONTACTOR CONTROL OUTPUT PROTECTION

FEATURES:

- ◆ REMOTE OVERVOLTAGE AND GROUND FAULT SELF TEST
- ◆ INTERNAL FIELD, FLASH START AND EQUALIZER RELAY

GENERATOR CONTROL UNIT SYSTEM INTERCONNECT DIAGRAM MODEL SERIES GCSG504



AIRCRAFT PARTS CORPORATION
100 CORPORATE DRIVE, HOLLISVILLE, NY, U.S.A.

GCSG 504 SERIES
SYSTEM INTERCONNECT DIAGRAM

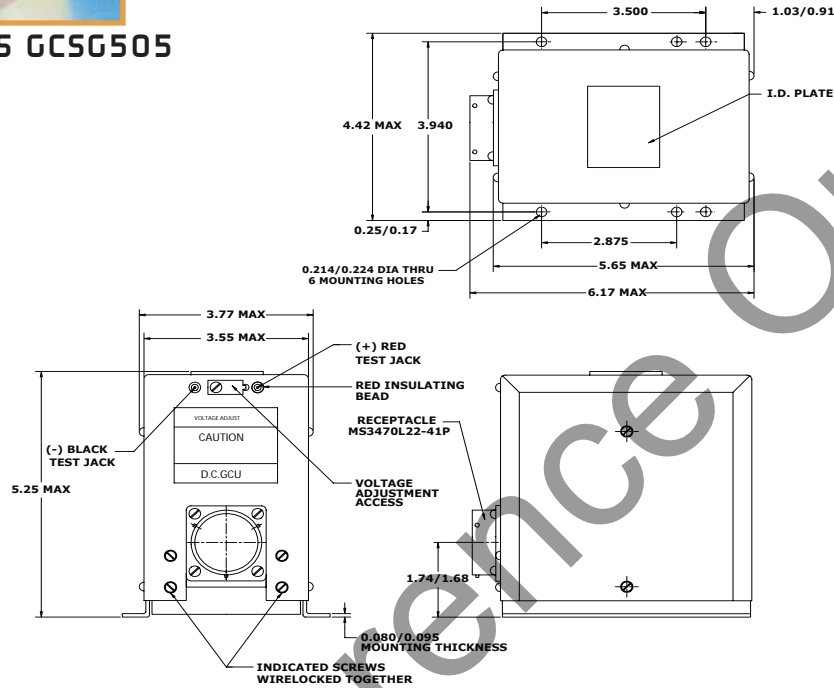
CD 504 SERIES	REV
---------------	-----

SHEET 1 OF 1



MODEL SERIES GCSG505

THE GCSG505 SERIES ARE FIELD WEAKENING GCU'S DESIGNED FOR OPERATION WITH SHUNT-TYPE STARTER-GENERATORS. THESE UNITS INCORPORATE THE START CONTROL FUNCTIONS, OVERLOAD AND GROUND FAULT PROTECTION.



TYPICAL AIRCRAFT INSTALLATIONS:

- ◆ BOMBARDIER CANADAIR: CL-415, CL-215 T
- ◆ AGUSTA: A109 SERIES HELICOPTERS
- ◆ CCADD: SARAS

DESIGN FEATURES AND FUNCTIONS:

CONTROL FUNCTIONS:

- ◆ VOLTAGE REGULATOR WITH VOLTAGE ADJUSTMENT
- ◆ AUTOMATIC PARALLELING CONTROL
- ◆ GENERATOR CURRENT LIMIT
- ◆ GENERATOR LINE CONTACTOR CONTROL
- ◆ DIFFERENTIAL VOLTAGE SENSING
- ◆ START CONTACTOR CONTROL
- ◆ 48 V START CONTROL
- ◆ STARTER FIELD CURRENT CONTROL (FIELD WEAKENING)
- ◆ AUTOMATIC STARTER CUT-OFF
- ◆ TORQUE LIMITING, START CYCLE - (PATENTED)
- ◆ BUS TIE CONTROL
- ◆ REMOTE ELECTRICAL RESET
- ◆ REMOTE ELECTRICAL TRIP

PROTECTION FUNCTIONS:

- ◆ OVERVOLTAGE PROTECTION
- ◆ OVEREXCITATION PROTECTION
- ◆ REVERSE CURRENT PROTECTION
- ◆ GROUND FAULT PROTECTION
- ◆ OVERLOAD PROTECTION
- ◆ UNDERVOLTAGE PROTECTION
- ◆ OVERSPEED PROTECTION
- ◆ ANTI- CYCLE PROTECTION
- ◆ START/LINE CONTACTOR CONTROL OUTPUT PROTECTION
- ◆ OPEN GROUND PROTECTION

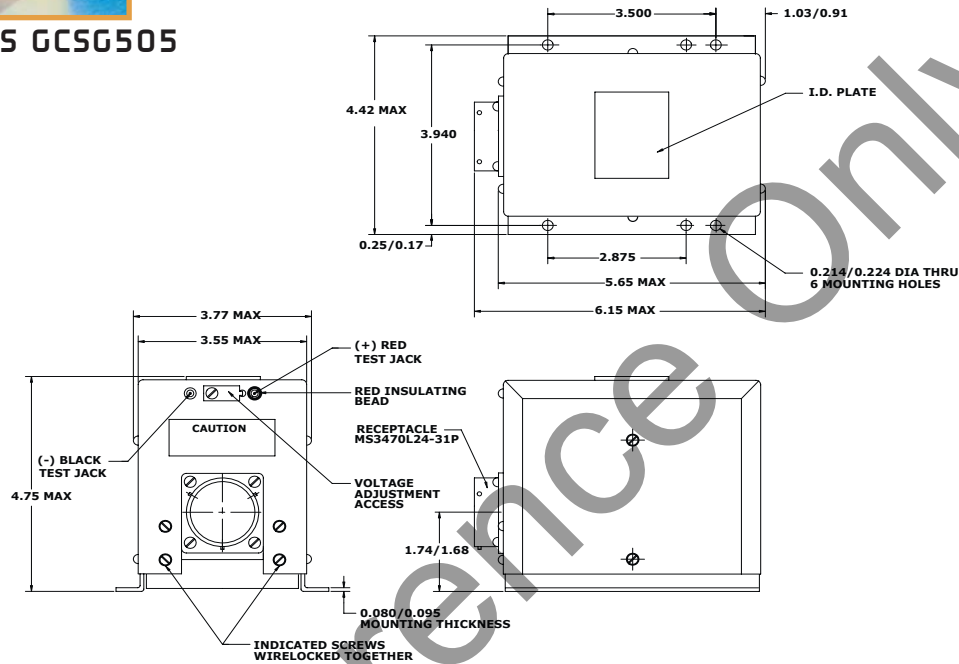
FEATURES:

- ◆ REMOTE OVERVOLTAGE, UNDERVOLTAGE, GROUND FAULT AND OVERLOAD SELF TEST
- ◆ INTERNAL FIELD RELAY, FLASH START RELAY AND EQUALIZER RELAY



MODEL SERIES GCSG505

THE GCSG505 SERIES ARE FIELD WEAKENING GCU'S DESIGNED FOR OPERATION WITH SHUNT-TYPE STARTER-GENERATORS. THESE UNITS INCORPORATE START CONTROL FUNCTIONS.



TYPICAL AIRCRAFT INSTALLATIONS:

- ◆ BOMBARDIER: LEARJET 60
- ◆ BELL: 412 AUX. SYSTEM
- ◆ DEHAVILLAND: DASH 7 AGES APU
- ◆ AERMACCHI: S211 TRAINER
- ◆ BASLER: TURBO DC-3 TURBINE CONVERSION
- ◆ PAC: CRESCO 750 XL
- ◆ BRITTEN NORMAN: DEFENDER & ISLANDER
- ◆ VALMET: L-90TP
- ◆ PZL: KANIA, SW4
- ◆ DASSAULT: FALCON 20 APU
- ◆ GROB: G140
- ◆ EXTRA FLUGZ: EA500

DESIGN FEATURES AND FUNCTIONS:

CONTROL FUNCTIONS:

- ◆ VOLTAGE REGULATOR WITH VOLTAGE ADJUSTMENT
- ◆ AUTOMATIC PARALLELING CONTROL
- ◆ GENERATOR CURRENT LIMIT (CROSS START)
- ◆ GENERATOR LINE CONTACTOR CONTROL
- ◆ DIFFERENTIAL VOLTAGE SENSING
- ◆ START CONTACTOR CONTROL
- ◆ 48 V START CONTROL
- ◆ STARTER FIELD CURRENT CONTROL: (FIELD WEAKENING)
- ◆ AUTOMATIC STARTER CUT-OFF
- ◆ TORQUE LIMITING, START CYCLE: (PATENTED)
- ◆ REMOTE ELECTRICAL RESET
- ◆ REMOTE ELECTRICAL TRIP

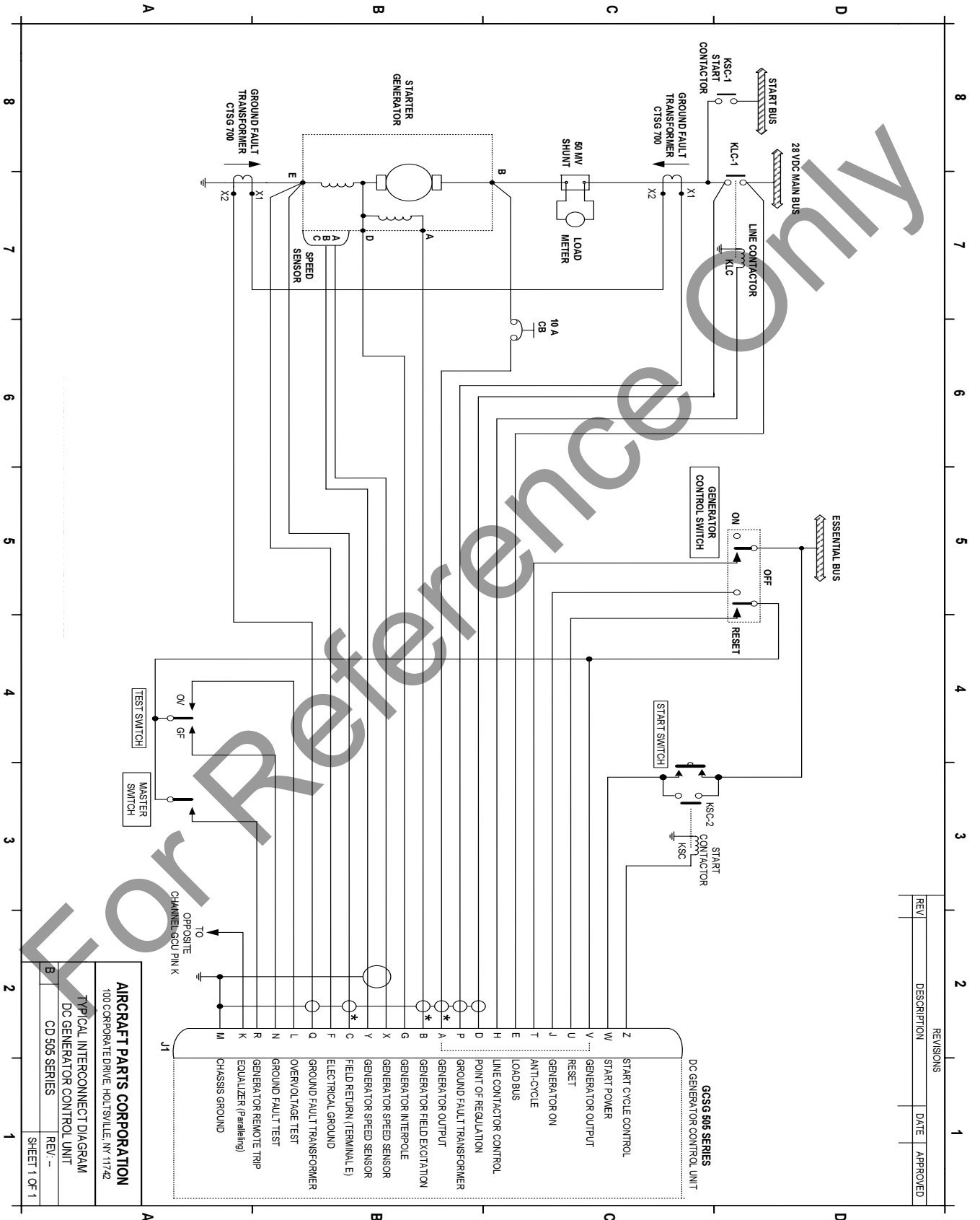
PROTECTION FUNCTIONS:

- ◆ OVERVOLTAGE PROTECTION
- ◆ OVEREXCITATION PROTECTION
- ◆ REVERSE CURRENT PROTECTION
- ◆ GROUND FAULT PROTECTION
- ◆ OVERSPEED PROTECTION
- ◆ START LINE CONTACTOR CONTROL-OUTPUT PROTECTION
- ◆ OPEN GROUND PROTECTION
- ◆ ANTI CYCLE PROTECTION

FEATURES:

- ◆ REMOTE OVERVOLTAGE, AND GROUND FAULT SELF TEST
- ◆ INTERNAL FIELD RELAY, FLASH START RELAY AND EQUALIZER RELAY

GENERATOR CONTROL UNIT SYSTEM INTERCONNECT DIAGRAM MODEL SERIES GCSG505



REVISIONS		
REV#	DESCRIPTION	DATE
1		
2		
3		
4		
5		
6		
7		
8		

AIRCRAFT PARTS CORPORATION
100 CORPORATE DRIVE, HOLTSVILLE, NY 11742

TIPOCAL INTERCONNECT DIAGRAM
DC GENERATOR CONTROL UNIT
CD 505 SERIES

REV: --
SHEET 1 OF 1

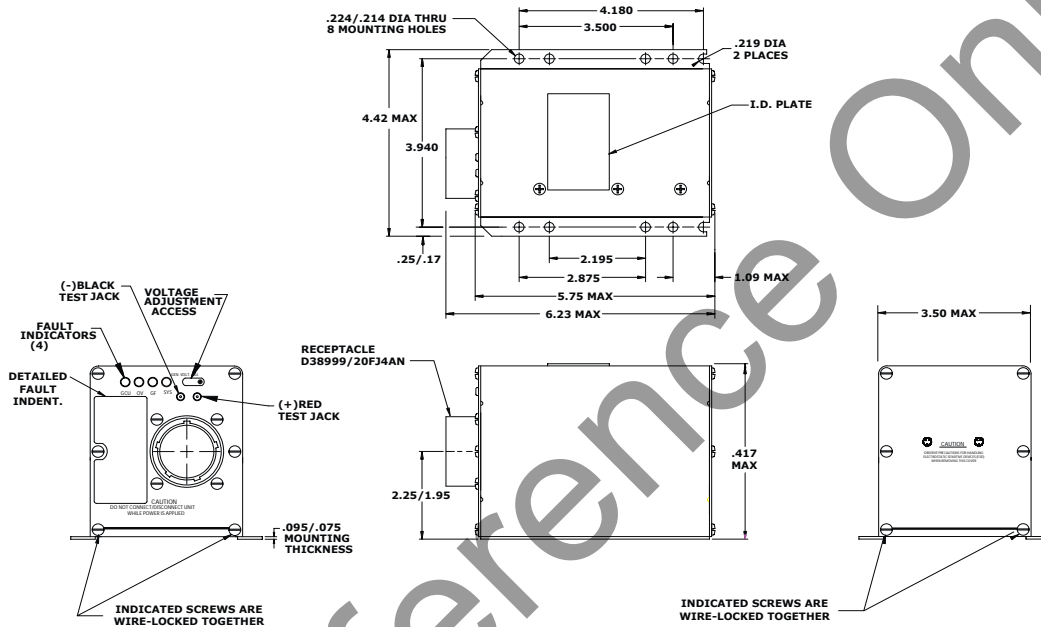
MODEL GCSG550 DIGITAL GCU



MODEL GCSG550

FEATURES:

- ◆ AUTOMATIC BIT & MONITORING
- ◆ FAULT DIAGNOSTICS INDICATION
- ◆ THRESHOLD SELECTION
- ◆ SERIAL COMMUNICATION
- ◆ INTEGRAL FIELD RELAY
- ◆ FLASH START RELAY
- ◆ EQUALIZER RELAY



DESIGN FEATURES AND FUNCTIONS:

CONTROL FUNCTIONS:

- ◆ VOLTAGE REGULATOR WITH VOLTAGE ADJUSTMENT
- ◆ AUTOMATIC PARALLELING CONTROL
- ◆ GENERATOR CURRENT LIMIT
- ◆ START/LINE CONTACTOR CONTROL
- ◆ DIFFERENTIAL VOLTAGE SENSING
- ◆ FIELD WEAKENING CONTROL
- ◆ TORQUE LIMITING, START CYCLE
- ◆ AUTOMATIC STARTER CUT-OFF
- ◆ REMOTE ELECTRICAL RESET
- ◆ REMOTE ELECTRICAL TRIP

TEMPERATURE RANGE : -40°C TO +71°C
 ENVIRONMENTAL - EMI: DO-160 D
 SOFTWARE CERTIFICATION: DO-178B
 CONNECTOR: MIL-C-38999 SERIES III
 WEIGHT : 2.0 LBS.
 LENGTH : 5.75 IN.
 WIDTH : 3.50 IN.
 HEIGHT : 4.15 IN.

CERTIFICATION PENDING

PROTECTION FUNCTIONS:

- ◆ OVERVOLTAGE PROTECTION
- ◆ OVEREXCITATION PROTECTION
- ◆ REVERSE CURRENT PROTECTION
- ◆ GROUND FAULT PROTECTION
- ◆ OVERLOAD PROTECTION
- ◆ OPEN SHUNT PROTECTION
- ◆ UNDERVOLTAGE PROTECTION
- ◆ OVERSPEED PROTECTION
- ◆ OPEN GROUND PROTECTION
- ◆ CONTACTORS OUTPUT PROTECTION
- ◆ OPEN P.O.R.
- ◆ SHUNT FIELD CIRCUIT MONITORING
- ◆ REVERSE POLARITY PROTECTION
- ◆ ANTI CYCLE PROTECTION

AIRCRAFT PARTS CORP. AUTHORIZED DISTRIBUTORS & REPAIR STATIONS:

UNITED STATES -

PERKINS AEROSPACE SUPPLY
P.O. Box 517
Glen Oaks, NY 11004
Tel: 516-437-4110
Fax: 516-437-3930

FLITE COMPONENTS

2734 Burbank Street
Dallas, TX 75235-2603
Tel: 800-527-5179
Fax: 214-350-2849

PETROLEUM HELICOPTERS

P.O. Box 90808
Lafayette, LA 70509
Tel: 337-235-2452
Fax: 337-232-6537

PRECISION HELIPARTS

495 Lake Mirror Rd. #800G
Atlanta, GA 30349
Tel: 404-768-9090
Fax: 404-768-9006

SEATTLE AERO

12410 S.E. 32nd Street
Bellevue, WA 98005
Tel: 425-643-4220
Fax: 425-746-9517

AAR DISTRIBUTION

One AAR Place
1100 Wood Dale Rd.
Wood Dale, IL 60191
Tel: 630-227-2000
Fax: 630-227-5589

AIRCRAFT COMPONENT SERVICES

330 S. E. 15th Street
Pompano Beach, FL 33060
Tel: 954-781-0398
Fax: 954-781-0398

AVIALL

P.O. Box 619048
2750 Regent Blvd.
Dallas, TX 75261-9048
Tel: 1-800-AVIALL-1
Fax: 972-586-1982

CANADA -

CANADIAN AERO ACCESSORIES
170 George Craig Blvd. N.E.
Calgary, Alberta T2E 7H2
Tel: 403-250-9077
Fax: 403-250-6841

AVIALL SERVICES

657 Barnes Rd., Suite #1
Enfield, Nova Scotia
B2T 1K3
Tel: 902-873-4646
Fax: 902-873-3932

AVIALL SERVICES

907 Cure-Boivin
Boibrand, Quebec J7G 2S8
Tel: 450-437-3844
Fax: 450-437-3997

AVIALL SERVICES

7150 Torbram Road
Mississauga, Ontario
L4T 3Z8
Tel: 905-676-1695
Fax: 905-676-9046

AVIALL SERVICES

4840 Cowley Crescent
Vancouver Int'l Airport
Richmond, British Columbia
V7B 1C1
Tel: 604-270-6144
Fax: 604-270-3115

AVIALL SERVICES

2073 Logan Avenue-Unit 9
Winnipeg, Manitoba R2R 0J1
Tel: 204-775-8004
Fax: 204-786-1556

W. G. COX AVIATION SUPPLIES

1000 Stevenson Road N.
Oshawa Municipal Airport
Oshawa, Ontario L1J 5P5
Tel: 905-728-4741
Fax: 905-723-7698

MEXICO -

SERVICIO INTEGRAL AERONAUTICO
Calle 645 No. 17
U. Hab. San Juan de Aragon IV
Mexico, D.F. C.P. 07970
Tel: 5794-8121
Fax: 5794-7212

CENTRAL AMERICA -

CENTRAL AMERICAN AVIATION SERVICES
Hangar K5, Avenida Hincapie
18-05 Zona 13, Guatemala City
Guatemala, 01013, C.A.
Tel: 011-502-332-6041
Fax: 011-502-332-6045

SOUTH AMERICA -

**AVIATION CENTER
COMERCIO e SERVICOS LTD.**
Av. Ayrton Senna, 2541
Aeroporto de Jacarepagua
Cep 22775-000
Rio de Janeiro, RJ Brazil
Tel: 55-21-2431-2505
Fax: 55-21-3325-9115

OSIRIS AVIATION

1799 NE 164th Str., Unit 105
North Miami Beach, FL 33162
Tel: 305-949-4644
Fax: 305-949-9906

SOUTH AFRICA -

CONSAV
PO Box 226
Darling 7345
South Africa
Tel: 27 (22) 409 2158
Fax: 27 (22) 409 2159

EUROPE -

SUPAIR AIRLINE SUPPORT
Parallelstrasse 5
D-22851 Norderstedt
Germany
Tel: 49-40-529-8870
Fax: 49-40-529-8876

AVIALL

Aviall Hoeksveen 153
2132 MX Hoofddorp
Amsterdam, The Netherlands
Tel: 31-20-653-1126
Fax: 31-20-653-1841

NORTHERN EUROPE -

PATRIA OSTERMANS AERO AB
Box 116
S-190 46 Stockholm-Arlanda
Sweden
Tel: 46-8-593-787-00
Fax: 46-8-593-787-95

SATAIR A/S

Amager Ladevej 147A
DK-2770 Kastrup
Denmark
Tel: 45-3247-0100
Fax: 45-3251-3434

ASIA -

AVIALL PTE. LTD.
2 Loyang Lane #05-02
Singapore 508913
Tel: 65-6542-5420
Fax: 65-6542-8222

AVIALL AIRSTOCKS LTD.

604 New Bright Building
11 Sheung Yuet Road
Kowloon, Hong Kong
Tel: 852-2318-0233
Fax: 852-2331-9222

AUSTRALIA -

AVIAQUIP
41 Kembra Street
Cheltenham, Victoria
3192 Australia
Tel: 61-3-9585-1211
Fax: 61-3-9585-1837

AUTHORIZED DISTRIBUTORS & REPAIR STATIONS:

DISTRIBUTORS - (CONTINUED):

NEW ZEALAND -

AVIALL NEW ZEALAND LTD.

P.O. Box 73-055
Cyril Kay Road
Auckland Intl Airport
Auckland, New Zealand
Tel: 64-9-275-0571
Fax: 64-9-275-6566

REPAIR STATIONS:

UNITED STATES -

AIRCRAFT PARTS CORP.

100 Corporate Dr.
Holtsville, N.Y. 11742
Tel: 631-289-0077
Fax: 631-758-3861

AIRCRAFT PARTS CORP.

SERVICE CENTER

4611 W. Harry
Wichita, KS. 67209
Tel: 316-943-8600
Fax: 316-943-8603

FLITE COMPONENTS

2734 Burbank Street
Dallas, TX 75235-2603
Tel: 214-350-5996
Fax: 214-350-2849

FLIGHTCRAFT, INC.

7777 N.E. Airport Way
Portland, OR 97218
Tel: 503-331-4220
Fax: 503-331-4273

PETROLEUM HELICOPTERS

P.O. Box 90808
Lafayette, LA 70509
Tel: 337-235-2452
Fax: 337-232-6537

CANADA -

CANADIAN AERO ACCESSORIES

170 George Craig Blvd. N.E.
Calgary, Alberta T2E 7H2
Tel: 403-250-9077
Fax: 403-250-6841

S. AMERICA -

AVIATION CENTER

COMERCIO e SERVICOS LTD.

Av. Ayrton Senna, 2541
Aeroporto de Jacarepagua
Cep 22775-000
Rio de Janeiro, RJ Brazil
Tel: 55-21-2431-2505
Fax: 55-21-3325-9115

AEROCENTRO DE SERVICIOS

P.O. Box 68823
Altamira 1062
Caracas, Venezuela
Tel.: (58-212)-959-04-01
Fax: (58-212)-959-51-13/34-86

CENTRAL AMERICA -

CENTRAL AMERICAN AVIATION SERVICES

Hangar K5, Avenida Hincapie
18-05 Zona 13, Guatemala City
Guatemala, 01013, C.A.
Tel.: 011-502-332-6041
Fax: 011-502-332-6045

UNITED KINGDOM -

AIRCRAFT COMPONENT SERVICES/(AAR)-LONDON

35 Willow Lane
Mitcham, Surrey CR4 4UQ
United Kingdom
Tel: 44-2086-402-225
Fax: 44-2086-859-247

CSE AVIATION

Oxford Airport, Kidlington
Oxford OX5 1RA, England
Tel: 44-1865-844-200
Fax: 44-1865-379-123

EUROPE -

EADS SOGERMA SERVICES

Aéroport de Bordeaux-Mérignac
B. P. 2
33701 Mérignac CEDEX
France
Tel: 33 5 56 55 40 00
Fax: 33 5 56 55 28 37

AIRCRAFT COMPONENT SERVICES/(AAR)-AMSTERDAM

Kruisweg 705
2130 AB Hoofddorp
The Netherlands
Tel: 31-20-655-22-22
Fax: 31-20-653-47-77

RUAG AEROSPACE SERVICES GmbH

P.O. Box 1253
82231 Wessling
Germany
Tel: 49-8153/30-2706
Fax: 49-8153/30-2148

HEDINGER

Flugzeug-Aggregate AG
Ebnaterstrasse 138
CH-9630 Waltwil
Switzerland
Tel: 41 71 988 32 22
Fax: 41 71 988 36 81

NORTHERN EUROPE -

PATRIA OSTERMANS AERO AB

Box 116
S-190 46 Stockholm-Arlanda Sweden
Tel: 46-8-593-787-00
Fax: 46-8-593-787-95

ASIA -

C & A AVIATION (PTE) LTD.

Bldgs 110/143
East Camp, Seletar Airfield
Singapore, 798370
Tel: 65-6481 2233
Fax: 65-6481 0827

SANTOKU AVIATION ELECTRIC

14-5 Higashi-kojiya 2 chome
Ohta-ku, Tokyo
144-0033, Japan
Tel: 81-3-3745-7711
Fax: 81-3-3745-0151

AUSTRALIA -

AEOS -AIRCRAFT EQUIPMENT OVERHAUL & SALES, PTY. LTD.

29 Norman Street- Peakhurst Sydney,
New South Wales, 2210 Australia
Tel: 61-2-8525-6444
Fax: 61-2-9534-3630

AEROLEC

Airport Hangar 8, Killyhawk Lane
Parafield Airport, Parafield
5106 S. Australia
Tel: 61-8-8258-2013
Fax: 61-8-8285-6788

MASLING INDUSTRIES PTY LTD

Airport Hangar 3
Coolamundra, New South Wales
2590 Australia
Tel: 61-2-6942-3155
Fax: 61-2-6942-3250

DID YOU KNOW??

Did you know that you can request a quote and order products from APC on-line?

Did you know that you can submit requests for brochures, technical bulletins and overhaul manuals by visiting our website - 24 hrs a day, 7 days a week?

Did you know that you can find a list of worldwide APC distributors and repair stations as well as look up our complete PMA parts list on our website?

For more information about Aircraft Parts Corp. products, services and new developments, please visit our website at www.apcmfg.com. (See snapshot of our homepage below).

APC Aircraft Parts Corp.
AS9001 ISO 9001:2000

Home Corporate Profile Products Services Request a Quote **Order Online** Distributor Network Technical Support

Powering aircraft. Empowering You.

THIS IS THE NEWS TICKER WITH CURRENT NEWS INFORMATION

- EVENT CALENDAR
- PROMOTIONS
- MEDIA CENTER
- REQUEST LITERATURE
- CONTACT APC
- FAQ'S
- SITE MAP

© 2003 AIRCRAFT PARTS CORP. 150 FINN CT. FARMINGDALE, N.Y. 11735 VOIC

Registered User Log in

User Id
Password

Login

On-line Ordering Available Now!
Become a Registered User

(Note: You must currently be an APC customer)

Contact: **Laurie Cordes**
e-mail: lcordes@apcmfg.com

If you are not currently an APC customer

Contact: **Customer Service - Cookie Hodgkiss-Daly**
e-mail: chodgkiss-daly@apcmfg.com
voice: 631.249.3053 x128

HOW TO USE OUR WEBSITE ONLINE ORDER CENTER:

If you are currently an Aircraft Parts Corp. customer, you can log with your user ID and password to order parts, review and track your order, its so easy, with just a few clicks your done.

APC customers who don't yet have a user ID and password, please contact Laurie Cordes at 631-289-0077, Ext. 108 or e-mail Laurie at lcordes@apcmfg.com to register your name and company and receive your log-on ID and password information.

For non-APC customers, please contact Cookie Hodgkiss-Daly at 631-289-0077, Ext. 128, or e-mail Cookie at chodgkiss-daly@apcmfg.com for more information or to request a quote on APC products.

For Reference Only

**OUR PASSION FOR QUALITY,
COMES STANDARD.**



Proud Members of:



member of



**F.A.A. APPROVED
(JAR/FAR-145) CERTIFIED
REPAIR STATION:
Certification: #MB1R316K**



**APC WORLD HEADQUARTERS:
AIRCRAFT PARTS CORP.
100 CORPORATE DRIVE
HOLTSVILLE, N.Y. 11742, U.S.A.
PHONE: 631-289-0077 FAX: 631-758-3861
TOLL-FREE: 1-877-427-2634**

www.apcmfg.com

(2004) - Aircraft Parts Corp. U.S.A.